

Bushing Data:

Rated Voltage	72.5	kV
Phase to-earth Voltage	72.5	kV
Dry Lightning Impulse	1,2/50µs	350
Wet Switching Impulse		250
Wet Power frequency AC		150
Routine test 1min dry 50Hz		175
Rated Current	3150	A
Creepage Distance	1905	mm
Mass	210	kg

Ordering Data:

BUSHING
 LF121056 -B / -AB COLOUR AIR INSULATOR
 BROWN / LIGHT GREY

OUTER TERMINAL

LF170 073-A	Al	H2 (mm)	D2 (mm)
LF170 073-B	Cu	125	60
LF170 073-G	Cu/Ag	125	60
OTHER TYPES ON REQUEST			

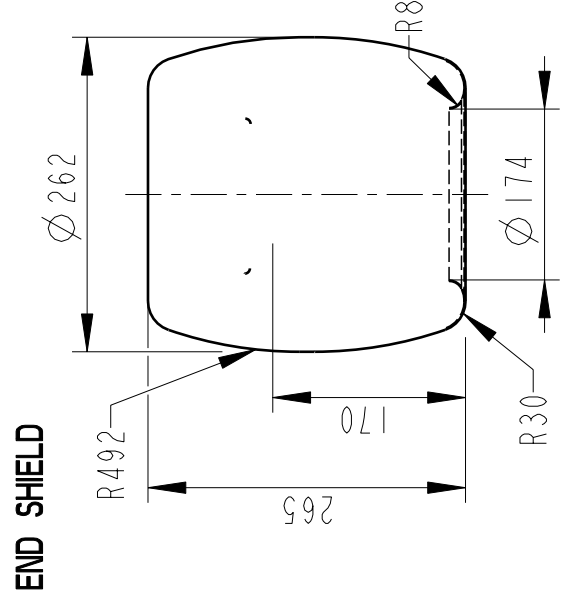
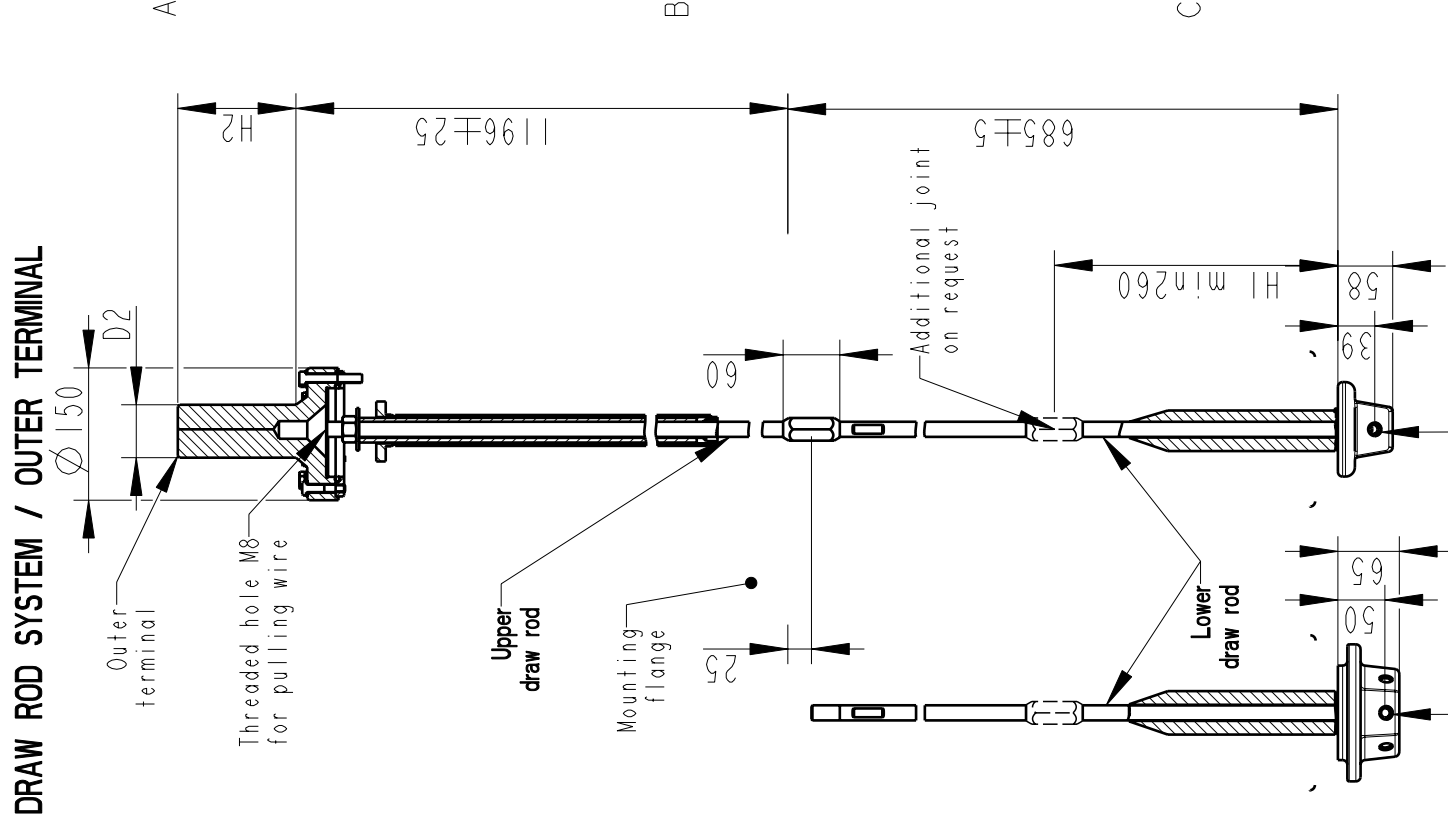
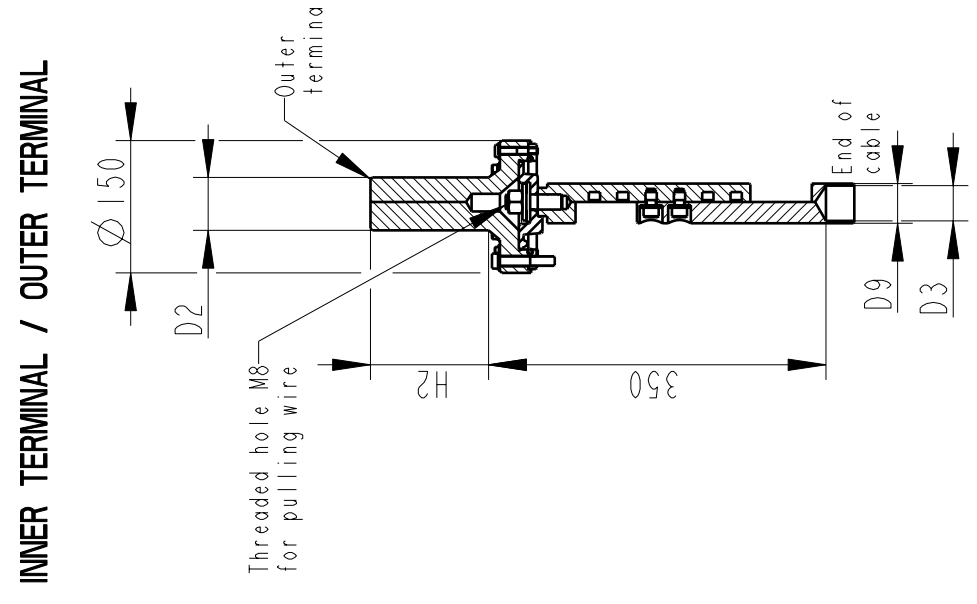
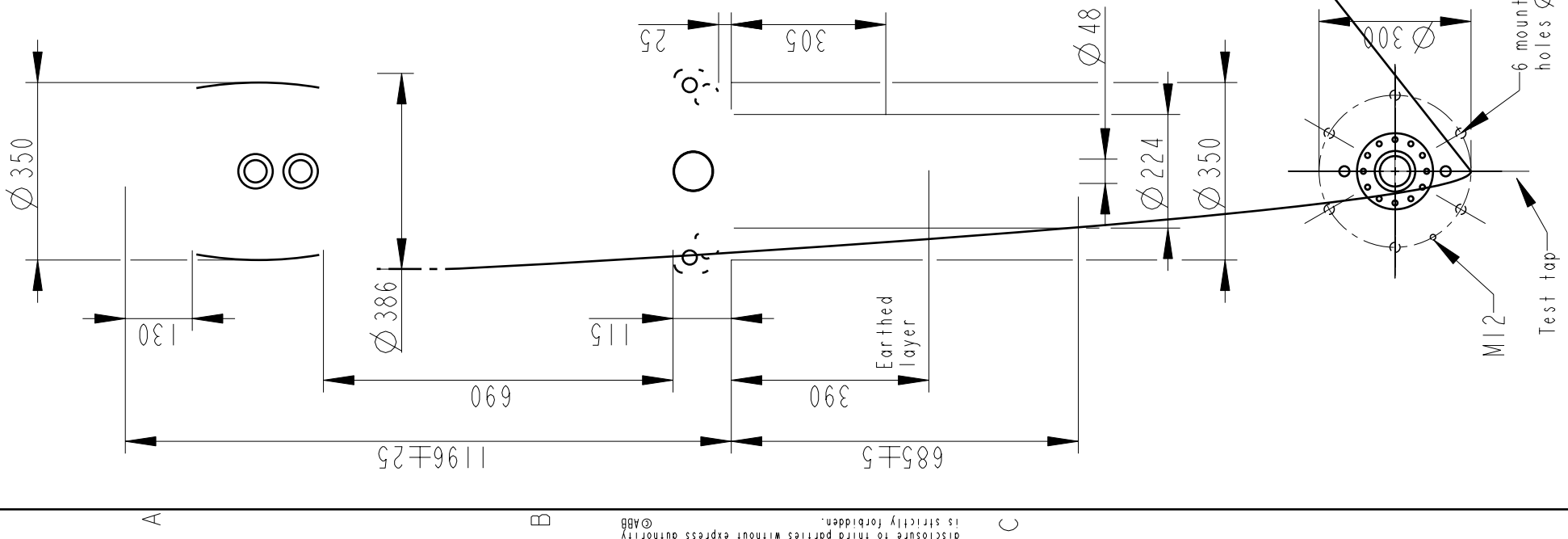
END-SHIELD
 LF170 046-U EPOXY INSULATED
 LF170 046-UP INSULATED WITH 3 mm PRESSBOARD

DRAW ROD SYSTEM
 LF170 059 LOWER DRAW ROD WITH NI=4 OR NI=6
 LF170 057 UPPER DRAW ROD

INNER TERMINAL

D3 (mm)	D9 (mm)	Cond. area (mm ²)	Current (A)
LF170 056-E	45	-	IEC
LF170 056-D	45	600	1600
LF170 056-C	45	600	1360

*) WITH PILOT HOLE D=5



NI=Number of holes M12, equipped with thread insert with screw lock, depth 20, for cable lugs.

Based on	Reg. No.	Title
Prepared Lövnord	Responsible department COM/BK 0022	GOE-325-250-3150-0.3
Approved Johansson	Take over department	
Design engineering review Gutman	Database	
ABB ABB Components		Document No. 2751369-75